



OWNERS MANUAL

MODEL: US-TPA

DESCRIPTION: TWIN PIN ATTACHMENT

MEETS OSHA & ANSI Z359.1

1-800-850-5914

PHOENIX, ARIZONA USA

WWW.ULTRASAFEUSA.COM



Illustration 1:

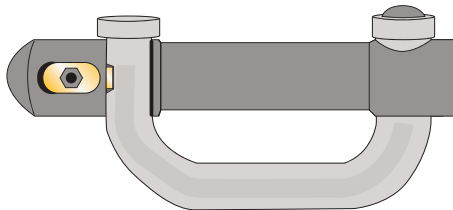


Illustration 2:

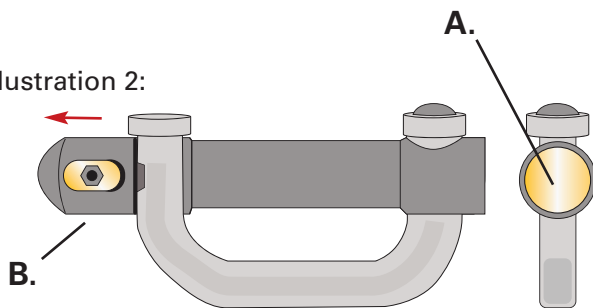
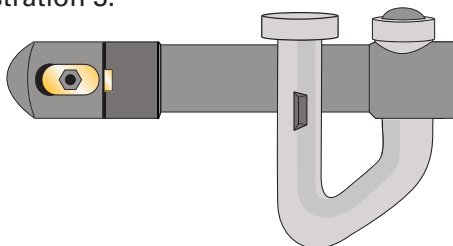


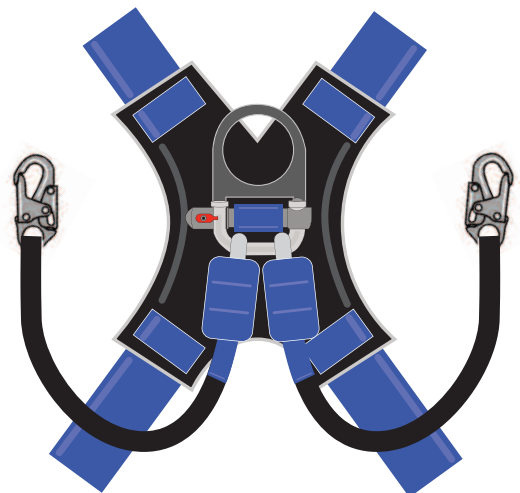
Illustration 3:



BEHIND THE WEB BRACKET FOR USE WITH US-HPS8 SERIES RETRACTABLES, US-HPA6AR ARC RATED AND HOT WORK ALSO

TO FASTEN TO HARNESS:

1. Ensure that the curved portion of US-TPA is in a downward orientation relative to the harness (See Illustration 1).
2. Simultaneously depress both locking button (A) and slide lock (B) (See Illustration 2) to swing the bracket, open as indicated (See Illustration 3).
3. With the bracket open, install dual leg retractable onto the bracket via the swivel tops of each. Swivels should be hanging on the curved portion of bracket.
4. Slide the bar behind both loops of webbing at dorsal D-ring. Swing the bracket closed until it locks into place.
5. Check the locking function of the bracket by attempting to swing the bracket open **WITHOUT** depressing locking buttons (A) or slide lock (B). Bracket bar should not move, and the bracket is now locked into place.
6. Dual leg Retractable can be easily installed and removed from bracket by once again depressing both locking button (A) and slide lock (B), which allows bracket to swing open without complete removal from harness.



Correctly installed at Dorsal D-ring on harness.