



OWNERS MANUAL

MODEL: US-5060CS

DESCRIPTION: ADJ. LADDER SYSTEM - 60'

MEETS OSHA & ANSI Z359.1

1-800-850-5914

PHOENIX, ARIZONA USA

WWW.ULTRASAFEUSA.COM

1. TOP BRACKET ASSEMBLY WITH INLINE SHOCK ABSORBER

- Inline shock absorber reduces the forces imposed on the system and structure in the event of a fall.
- H.D. square tube support

2. CABLE LIFELINE

- 7x19 stainless steel lifeline 3/8".

3. CABLE ROPE GRAB (US-5038 OR US-5038E) - SOLD SEPARATELY

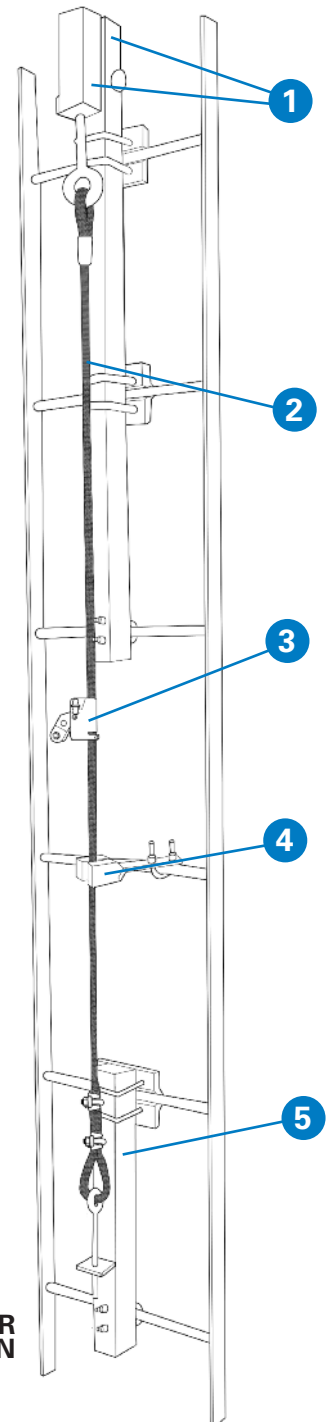
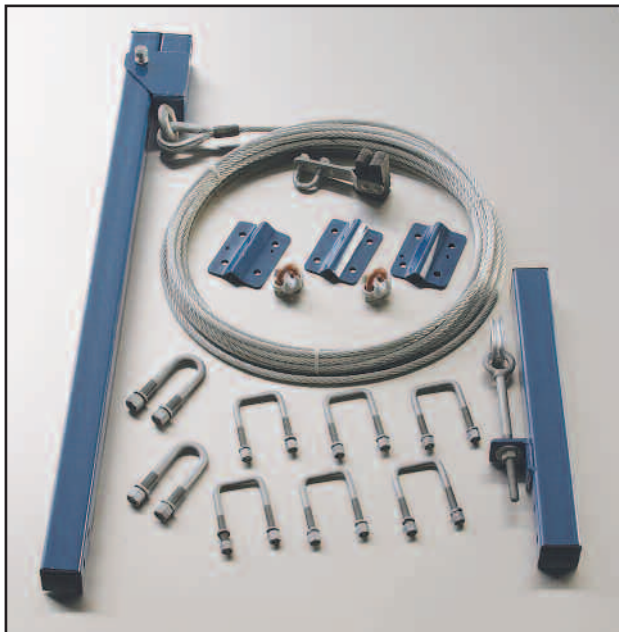
- Stainless steel construction offers corrosion-resistance.
- Quick and easy to install with absolute single-hand operation.
- Integrated mechanism prevents upside-down installation of the rope grab to the cable.
- Hands-free trailing while climbing and descending.
- Locks instantly in the event of a fall.

4. PASS-THROUGH CABLE GUIDE STAND-OFF (US-5030CO)

- Holds the cable in position, preventing it from moving excessively in windy conditions and from coming in contact with the ladder or structure.
- Placed every 30 feet.

5. BOTTOM BRACKET ASSEMBLY

- Lower eyebolt adjusts tension, to be wrench tight



400 LBS OR
ONE PERSON