



OWNERS MANUAL

MODEL: US-5082AC

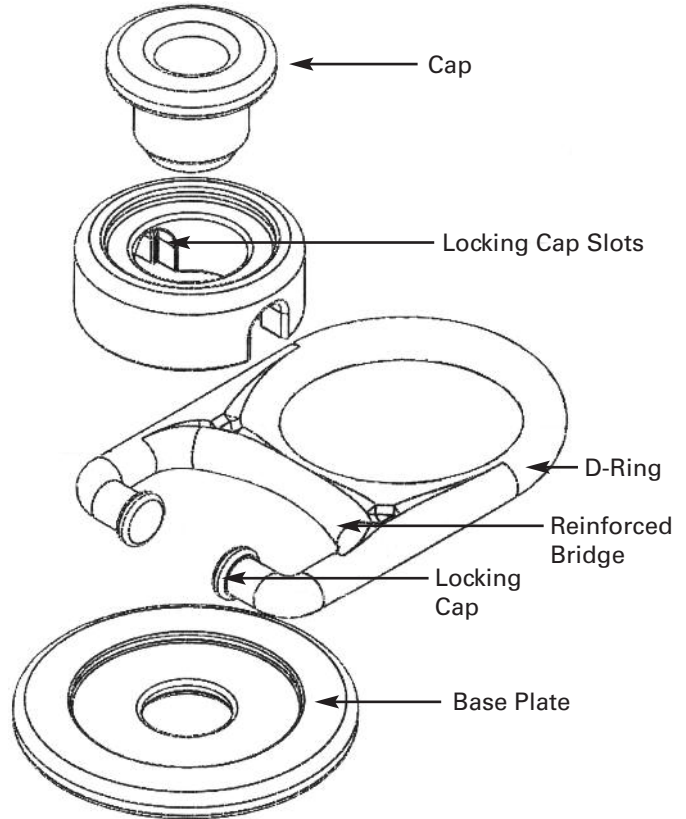
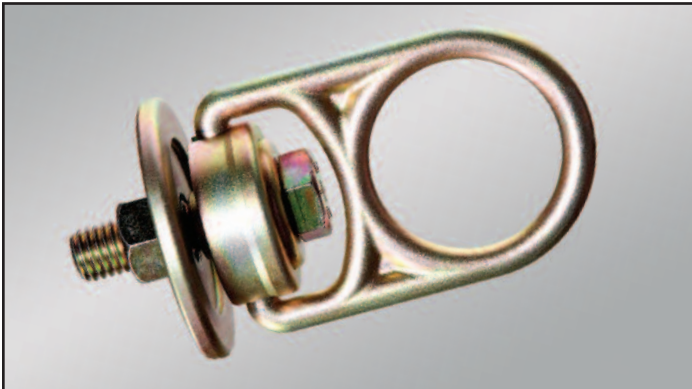
DESCRIPTION: Concrete and Steel Swivel Anchor

MEETS OSHA & ANSI Z359.7-2011

1-800-850-5914

PHOENIX, ARIZONA USA

WWW.ULTRASAFEUSA.COM



DESCRIPTION:

- Zinc plated forged heat treated steel
- Special design gives the anchor an incredible 10,000 lb ultimate breaking strength
- Rotates 360 degrees
- Flips 180 degrees
- Used for steel flanges or concrete substrate

TECHNICAL:

| | |
|-----------------------|-------------------------------------------|
| Hardware for Concrete | See page 3 for details. |
| Tensile Strength | 10,000 lbs |
| Material | Drop forged alloy steel |
| Hardware for Steel | 5/8" grade 8 bolt, lock washer and nut |

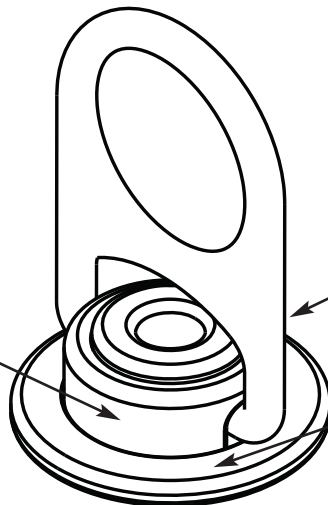
LABEL LOCATIONS

US-5082AC
Zinc Plated Steel

Ultimate Breaking Strength - 10,000 lbs. Max Capacity 400 lbs.

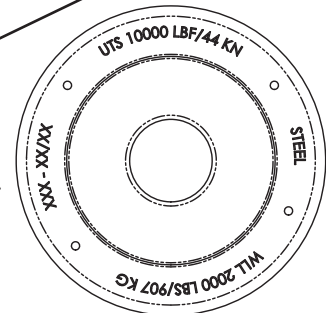
Inspect before each use. In addition, a competent person must inspect at least annually.

Compliance:
OSHA 1910.66 & 1926.502
ANSI Z359.1-2007
US Patent Pending



WARNING: Do not use in wet or uncured concrete. Use in normal weight concrete with a compression strength at least 3,000 PSI (20.7 MPa). For steel applications the steel flange must be at least 1/4" thick. Make sure the MEGA Swivel rests entirely on the steel flange.

WARNING: All persons using this equipment must read, understand and follow all instructions. Failure to do so may result in serious injury or death.





REQUIREMENTS

1. Follow all manufacturer's instructions with this device. Only trained professional personnel should install, maintain, inspect and use this product and its components or other personal protective equipment in conjunction with this product.
2. Do not use this device if its components are damaged, cracked, broken or have any deformation to its structure. Do not use device if it does not operate smoothly or freely.
3. OSHA requires that any personal fall arrest system and all the components in the system be removed from service and destroyed if a fall has occurred loading this device.
4. This product is not designed to be repaired or altered in any way. The unit must be removed from service.
5. Do not use incompatible connectors with this device. Use only self-locking snap hooks or carabiners that meet ANSI Z359.1 requirements. Only use connectors that are designed for each application. Ensure that all connectors are fully closed and in the locked position. Connectors strength must meet the 5,000 lb requirement.
6. All personal fall arrest systems must meet all applicable state, federal, city, OSHA and ANSI requirements and any other regulating government body. It is the responsibility or the employer to regulate its worker and make sure all laws are being complied with concerning this device.
7. This anchorage point attachment must be identified by a qualified or competent person by means of support of a worker. For fall arrest, the anchor point must meet the 5,000 lb requirement per single user. It is the responsibility of the user and employer that the concrete can meet the anchor requirements and the proper anchoring techniques be used with this device.
8. This anchor point must be used with care. Determining the proper placement of this device must take in consideration and be applied so that in combination along with an lanyard that the user will not be allowed to free fall more that 6 feet or maximum fall arrest force of 1800 lbs. Make sure the fall path is clear of obstructions and no swing falls occur.
9. The structure or substrate that this device is anchored to must meet the capabilities of withstanding the 5,000 lb static load capacity per person (5,000 lbs for one person).
10. Pregnant women and minors must not use this product.
11. Designed safe working load is 400 LBS (149.3 kg) do not exceed this weight.

IMPORTANT

All persons using this equipment must read and understand all instructions. Failure to do so may result in serious injury or death. If a fall occurs, this anchor must be disposed of according to the manufacturer instruction. Users should be familiar with pertinent regulations governing this equipment. All individuals who use this product must be correctly instructed on how to use this device.

INSPECTION

Official periodic inspection must be made at least annually. This inspection must be made by competent persons of official capacity other than the intended users. If severe weather or conditions exist then inspections must be carried out more frequently. All inspection results must be logged in the inspection and maintenance log.

1. Inspect unit to make sure it is straight and operates smoothly.
2. Inspect unit to make sure the label is affixed to unit.
3. Inspect unit for damage, crack and wear that could affect the strength or operation.
4. Inspect the anchoring fastener for damage, crack and wear that could affect the strength or operation.
5. Inspect unit to make sure all metal components are not damaged.
6. Make sure unit can rotate and flip flop freely.
7. Record the inspection results in the inspection log.

STORAGE AND CLEANING

1. Keep unit free of grease, oils and dirt.

DISPOSAL

1. Dispose of unit after any fall has occurred.
2. Dispose of unit if any damage has occurred of any sort.
3. Dispose of unit if it does not operate freely.

After inspection reveals damage or unsafe conditions, proper disposal requires the MEGA Swivel Anchor to be destroyed or proper disposed.

OSHA and ANSI standards require that if a fall occurs that the entire fall protection system must be removed from service and destroyed. Some components of a system may be allowed to be returned to the manufacturer for re-certification, like a Retractable. You must follow the instruction listed below for proper the MEGA Swivel

- Remove from service immediately after a fall occurs.
- Remove the anchor bolt from the MEGA Swivel and dispose it buy placing the bolt into a small box. Seal box closed then place in the garbage. This will prevent an unsuspecting user to see it in the trash and try to re-use the anchor.
- Repeat the same steps above to dispose of the MEGA Swivel. Do not put the anchor bolt in the same box as the MEGA Swivel.

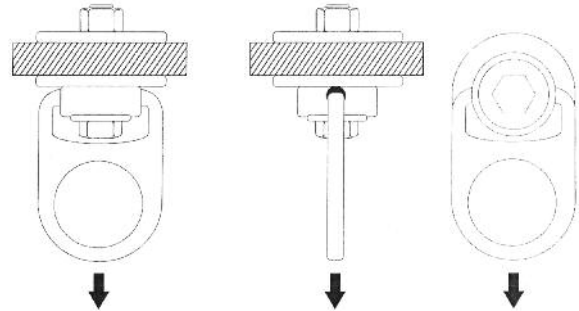
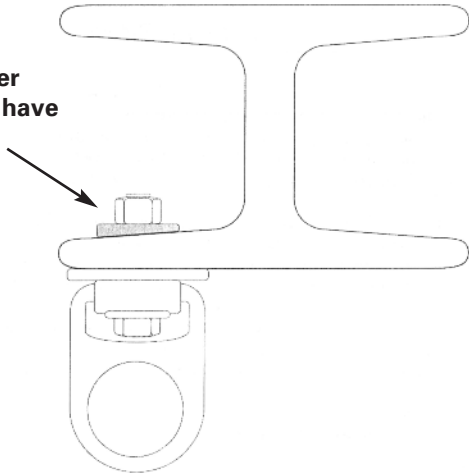
WARNING:

- It is the responsibility of the employer, contractor and end user to properly dispose the fall protection systems and report the incident to the appropriate governing body. See your local, state and federal regulations.
- Re-using any component of a fall protection system after a fall has occurred is illegal, dangerous and can lead to serous injury or death.

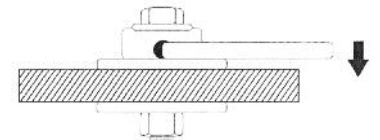


ACCEPTABLE LOAD

Used taper washer with I-Beam that have tapered flanges



DANGER
IMPROPER LOAD



BOLT REQUIREMENTS

STEEL

For steel applications a grade 8 bolt with a locking nut and washer must be used

Bolt:

- SAE grade 8
- 4" Minimum length
- 5/8" diameter
- 11 thrds/in

Ultimate Breaking Strengths of grade 8 bolt

Ultimate Tensile - 18,000 lbs.
Ultimate shear - 15,000 lbs.

Safe Working Loads - 400 lbs

Nut:

- SAE grade 8 lock nut
- 5/8" diameter
- 11 thrds/in



Washer:

- SAE grade 8 lock washer
- 5/8" diameter

CONCRETE

The custom bolt supplied with these anchor can be used in 3,000psi normal weight concrete.

Bolt:

- SAE grade 5
- 5" length
- 3/4" diameter
- 11 thrds/in

Ultimate Breaking Strengths

Ultimate Tensile - 12,000 lbs.
Ultimate shear - 10,000 lbs.

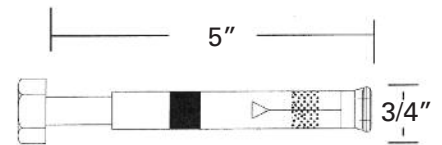
Safe Working Loads - 400 lbs

Expander Nut:

- SAE grade 5
- 3/4" diameter
- 11 thrds/in

Washer:

- SAE grade
- 3/4" diameter



DRILLING REQUIREMENTS

STEEL

- Drill the hole 5/8" in diameter
- The hole must be 3" from an edge or corner.
- Do not use MEGA Swivel in steel thinner than 1/4"
- Be aware of your alignment of the lanyard or connectors, make sure they do not run over the edge of the steel flange.

CONCRETE

- Drill a 3/4" diameter hole 4-1/2" deep.
- Use recommended drill type and size.
- Blow hole clean with compressed air.
- Drill hole straight into substrate.
- Only use an industrial SDS hammer drill and drill bit.

- The concrete substrate must be 20" wide and at least 10" thick Do not drill a hole closer than 10" from any corner.

Drill hole 4-1/2" deep hole drilled straight into substrate. The anchor bolt will penetrate the hole 4" leaving 1/2" of play at the bottom of hole. Drill hole straight

DO NOT drill hole less than 4-1/2" to insure the Swivel Plate can rest firmly on the face of the substrate. If the plate does not rest on the substrate, drill another hole. Make sure hole is drilled straight into the substrate to ensure proper swiveling action.

