



USER INSTRUCTION MANUAL

DESCRIPTION: 3/4" Concrete Anchor 5,000 lbs / 22kn

MODEL: US-1075CAEB WITH EASY BOTTOM

MBL 5,000 LBS

MEETS OSHA & ANSI Z359.1



1-800-850-5914

PHOENIX, AZ USA

WATCH VIDEO 20 ON ULTRASAFEUSA.COM



3/4" FALL PROTECTION CONCRETE ANCHOR'S ARE TO BE USED IN CONCRETE SUBSTRATE ONLY. DO NOT USE IN STEEL, WOOD OR ANY OTHER SUBSTRATE. THIS PRODUCT IS USED IN CONCRETE ONLY.

ANCHOR'S CAN BE PLACED IN:

- Horizontal surfaces
- Vertical surfaces
- Overhead / ceiling surfaces

IMPORTANT!! All persons using this equipment must read and understand all instructions. Failure to do so may result in serious injury or death. If a fall occurs, the Concrete Anchor must be disposed of according to the manufacturer instruction. Users should be familiar with pertinent regulations governing this equipment. All individuals who use this product must be correctly instructed on how to use this device.

COMPONENTS:

- | | |
|-------------------|--------------------------|
| • Main Cable | 7x19 Aircraft Cable |
| • End Termination | Stainless Steel |
| • Spoons | Stainless Steel |
| • Bushing Guide | Zinc Plated Alloy Steel |
| • Stop sleeve | Stainless Steel |
| • Trigger | Aluminum Alloy |
| • Spring | Zinc Plated Spring Steel |
| • Swage | Zinc Plated Copper |
| • Plastics | Polyurethane |

WARNING

These instructions must be read and understood by all persons using this device. Improper use could result in serious injury or death. This product must be used in strict compliance with local, state and federal OSHA regulations. All users should have training and instruction at routine intervals. This device is to be used only with ANSI & OSHA compliant fall arrest systems. This device must be installed per provided instructions and must be inspected before and after each use. If this device is subjected to a fall or other damaging incident it must be removed from service and destroyed per instructions.



REQUIREMENTS & SPECIFICATIONS:

- Follow all manufacturer's instructions.
- For FALL PROTECTION ONLY.
- For use in concrete substrate only.
- DO NOT use in wet/uncured concrete.
- Concrete must have 3000 psi minimum compressive strength. .
- Always inspect prior to use.
- For use by qualified fall protection personnel only.
- Use only compatible connectors, snap-hooks or carabiners with this unit.
- This unit is not to be used for any other anchoring situation.
- Anchor rated @ 5,000 lbs. for single user up to 310 lbs.
- DO NOT use in steel, wood or any substrate other than concrete.
- For use in horizontal, vertical, or overhead applications

INSPECTION:

- Make sure unit is straight and operates smoothly.
- Make sure the Tag is affixed to unit.
- Make sure the Retractor Handle is not bent or damaged.
- Make sure Retractor Cables are not kinked, frayed or damaged.
- Make sure metal components are not damaged.
- Make sure Chocks and Wedge operate smoothly, and no metal burrs occur.
- When reusing a previously drilled hole, always inspect the hole carefully.

STORAGE & CLEANING:

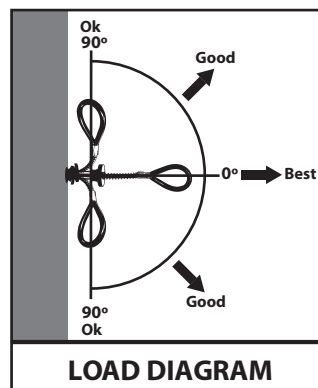
- Blow off unit after each use with compressed air.
- Store in clean dry environment.
- Store in secure locked area.
- Store and put away at the end of each day's work.
- Do not pile any objects on top of unit during storage.
- Keep unit free of grease, oils and dirt.
- Never lend unit to other workers.

DISPOSAL:

- Dispose of unit after any fall has occurred.
- Dispose of unit if any cable becomes kinked or frayed.
- Dispose of unit if Retractor Handle, Stop Ferrule or Wedge is bent or damaged.
- Dispose of unit if retractor action is rough or sticky.
- Proper disposal requires that both Chocks are cut off from the Retractor Cables and all parts thrown away.

HOLE DRILLING & PLACEMENT REQUIREMENTS:

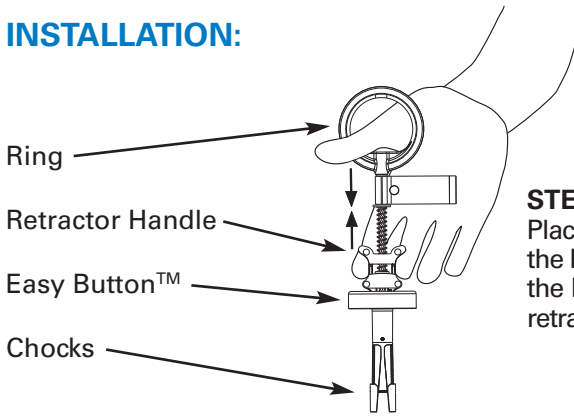
- Anchor holes must be drilled using only industrial grade 3/4" rotary hammer drill bits and a rotary hammer drill.
- NEVER USE A BENT DRILL BIT.
- Hole must be drilled (bored) straight and parallel and free of any peaks or valleys on the inner wall.
- Hole must be a minimum depth of 3" into the substrate.
- Hole must be cleaned with compressed air to remove any drilling debris
- When reusing a previous hole, inspect carefully for debris and uniform surface. If necessary drill another proper hole.
- If concrete is 12" thick x 12" wide (or more) the hole must be at least 6" from any edge or corner.
- If concrete is 10" thick x 16" wide (or more) the hole must be at least 8" from any edge or corner.
- If concrete is 8" thick x 20" wide (or more) the hole must be at least 10" from any edge or corner.
- If concrete is 5" thick (or more) the hole must be at least 12" from any edge or corner.



NOTE:

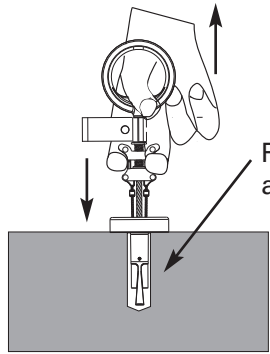
Anchor can be used at a 90 degree angle.

INSTALLATION:



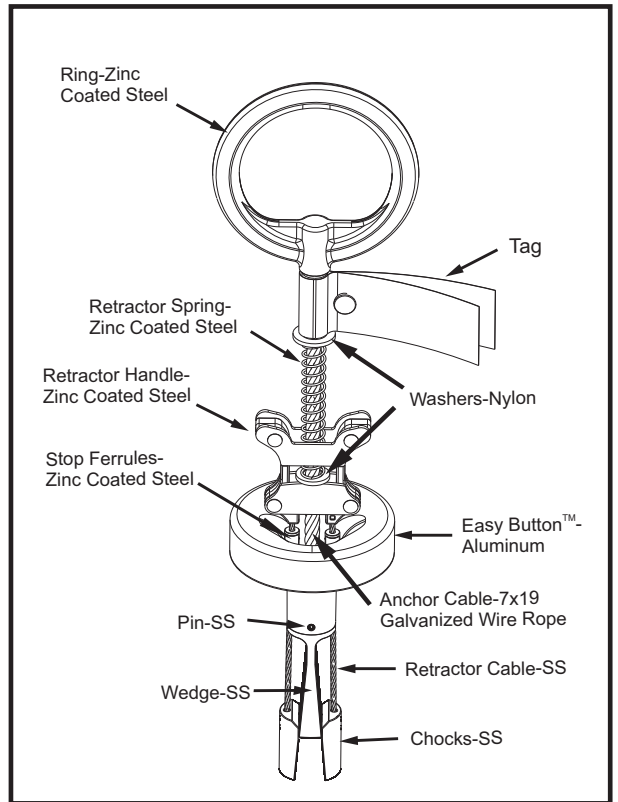
STEP 1:
Place thumb through the Ring and pull up on the Retractor Handle to retract the Chocks.

STEP 2:
Insert the anchor into the hole until the Easy Button™ seats against the hole face. Keep the Retractor Handle level while slowly releasing

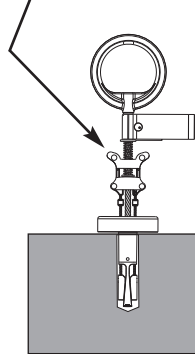


Remove dust and debris.

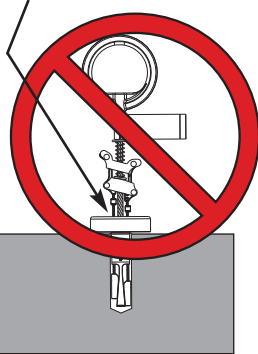
If the Handle will not stay level, rotate the anchor in the hole and release again.



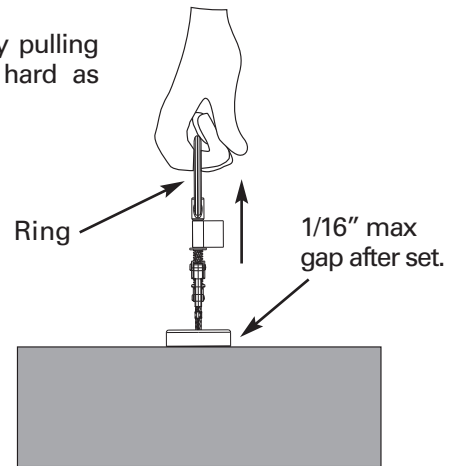
CAUTION:
Be sure the Retractor Handle is level to prevent kinked Retractor Cables.



INCORRECT:
Using like this will cause kinked Retractor Cables and ruin the Hole Anchor!

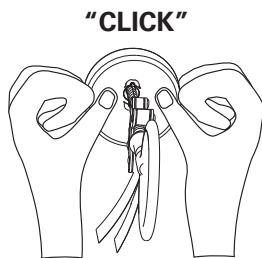


STEP 2:
Set the anchor by pulling on the Ring as hard as desired.



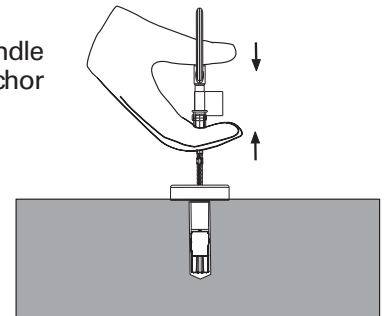
REMOVAL:

STEP 1:
To release, push the Easy Button™ with both thumbs or palms to unlock the Chocks.



If the anchor does not release, tap the Easy Button™ with any handy object.

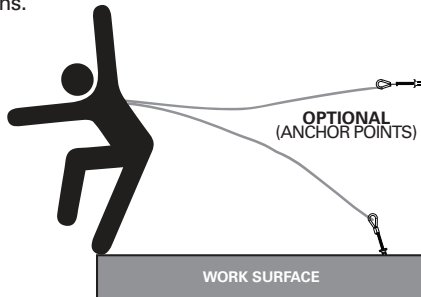
STEP 3:
Then retract the Handle and remove the anchor from the hole.





EXAMPLE WITH US-96516

May be used as an anchoring point for a leading edge restraint system. Examples are of optional anchoring point locations.



OPTIONAL
(ANCHOR POINTS)

WORK SURFACE

ANCHOR POINTS

The use of two anchors is not required for leading edge restraint systems unless otherwise specified by the manufacturer.

The concrete must be 3000-psi or higher and fully cured. Installation location to be approved by a qualified person.



WORK SURFACE

The user shall be equipped with a means of limiting the maximum dynamic forces exerted on the user during the arrest of a fall to a maximum of 6 kN (1350-lbf).



All products subjected to fall arresting forces should be removed from service immediately!

MINIMUM CLEARANCE 18"

DECK/FLOOR/GROUND LEVEL

WARNING!! SWING FALLS CAN OCCUR WHEN THE WORKER IS NOT DIRECTLY UNDER ANCHOR POINT.

INSPECTION AND MAINTENANCE LOG

DATE	PART #	COMMENTS	INSPECTOR NAME

Date of Manufacture: _____

Model Number: _____

LABELLING

ANSI Z359.1-2007, ANSI Z359.1-2011, OSHA 1926.502, OSHA 1910.66

WARNING!!!

ALL PERSONS USING THIS EQUIPMENT MUST READ AND UNDERSTAND ALL INSTRUCTIONS. FAILURE TO DO SO MAY RESULT IN SERIOUS INJURY OR DEATH. USERS SHOULD BE FAMILIAR WITH PERTINENT REGULATIONS GOVERNING THIS EQUIPMENT. ALL INDIVIDUALS WHO USE THIS PRODUCT MUST BE PROPERLY INSTRUCTED ON HOW TO USE THIS DEVICE. AVOID CONTACT WITH PHYSICAL HAZARDS (THERMAL, CHEMICAL, ELECTRICAL, ETC.). MAKE ONLY COMPATIBLE CONNECTIONS.

ZINC PLATED STEEL, STAINLESS STEEL, ALUMINUM

Max Capacity 400 lbs

DO NOT REMOVE



Concrete Anchor
Model: US-1075CAEB
Part Number: US-1075CAEB
MFD: MM/DD/YYYY
INSPECT BEFORE USE