



Meets ANZI Z359.1-2007, ANZI Z359.7-2011
OSHA 1926.502 & OSHA1910.66

OWNERS MANUAL

MODEL: US-MBA-V14

DESCRIPTION: FIXED BEAM ANCHOR 14"

MEETS OSHA & ANSI Z359.7-2011



1-800-850-5914

PHOENIX, ARIZONA USA

WWW.ULTRASAFEUSA.COM



General Description

The MBA-V Series is designed for use where a temporary or permanent, stationary anchorage connector is required. The Model MBA-V attaches quickly to the bottom or side of horizontal and vertical beams and columns to form a rigid anchorage connector to connect a safety lanyard, retractable lifeline, vertical and horizontal lifelines or perimeter lines for personal fall protection and fall restraint.

IMPORTANT

THESE INSTRUCTIONS SHOULD BE KEPT WITH THE DEVICE AT ALL TIMES.

WARNING!

You must read and fully understand all instructions, or have all instructions explained to you, before attempting to use this device. Equipment must not be installed, operated or inspected by anyone who does not understand these instructions. Failure to observe these instructions could result in serious injury or death. Careless or improper use of this equipment can result in serious injury or death. Training and instruction review should be repeated at regular intervals. If you have any questions regarding these instructions or need additional copies, call Ultra-Safe, Inc. at **ULTRA-SAFE, INC. 1-800-850-5914**

This user instruction manual is not a substitute for a Comprehensive Training program.

Use Instructions

1. A user must be of sound mind and body to properly and safely use this equipment in normal and emergency situations. Users must have a physician ensure they are clear of any medical conditions that may affect the proper and safe use of this equipment in normal and emergency situations.
2. Before using a personal fall arrest system, user must be trained in accordance with the requirements of OSHA 29 CFR 1910.66 in the safe use of the system and its components.
3. Use only with ANSI/OSHA compliant personal fall arrest or restraint systems. The anchorage must have the strength capable of supporting a static load, applied in the directions permitted by the system, of at least 5,000-lbf (22kN) in the absence of certification.
4. The user shall be equipped with a means of limiting the maximum dynamic forces exerted on the user during the arrest of a fall to a maximum of 8 kN (1800-lbf)
5. Use of this product must be approved by an engineer or other qualified person to be compatible with any and all structural & operational characteristics of the selected installation location and system to be connected to this anchorage connector.
6. The anchorage connector must be inspected prior to each use for wear, damage, and other deterioration. If defective components are found, the anchorage connector must be immediately removed from service in accordance with the requirements of OSHA 29 CFR 1910.66 and 1926.502.



7. The anchorage connector should be positioned in such a way that minimizes the potential for falls and the potential fall distance during use. The complete fall protection system must be planned (including all components, calculating fall clearance, and swing fall) before using.
8. A rescue plan, and the means at hand to implement it, must be in place that provides the prompt rescue of users in the event of a fall, or assures that users are able to rescue themselves.
9. After a fall occurs the anchorage connector must be removed from service and destroyed immediately.
4. Do not expose the anchorage connector to chemicals or harsh solutions which may have a harmful effect.
5. Do not alter or modify this product in any way.
6. Caution must be taken when using any component of a fall protection, work positioning, rope access, or rescue system near moving machinery, electrical hazards, sharp edges, or abrasive surfaces, as contact may cause equipment failure, personal injury, or death.
7. Do not use/install equipment without proper training by a "competent person" as defined by OSHA 29 CFR 1926.32(f).
8. Do not remove the labeling from this product.
9. Additional requirements and limitations may apply depending on anchorage type and fastening option utilized for installation. All placements must be approved by an engineer or other qualified person.
10. This anchorage connector should not be used as part of a horizontal lifeline system that has not been designed and or approved to be used with 5,000-lbf anchorage connectors.
11. The anchorage connector should only be used for personal fall protection and not for lifting equipment.

Use Limitations:

The anchorage connector shall not be used outside its limitations, or for any purpose other than that for which it is intended.

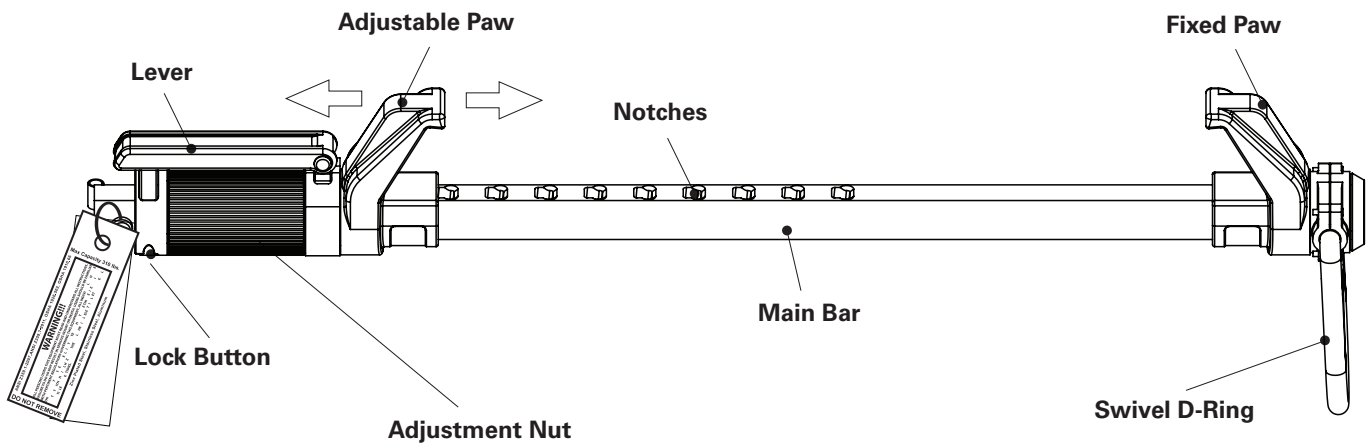
1. The anchorage connector is designed for a single user, with a capacity up to 310 lbs (140 kg) including clothing, tools, etc.
2. The anchorage connector may only be loaded as shown in the loading conditions diagram.
3. The anchorage connector is designed to be used in temperatures ranging from -40°F to +130°F (-40°C to +54°C).

Compatibility Limitations:

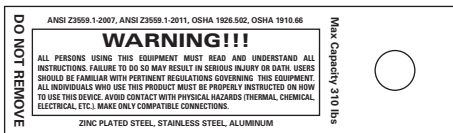
Anchorage connector must only be coupled to compatible connectors. OSHA 29 CFR 1926.502 prohibits snaphooks from being engaged to certain objects unless two requirements are met: it must be a locking type snaphook, and it must be "designed for" making such a connection. "Designed for" means that the manufacturer of the snaphook specifically designed the snaphook to be used to connect to the equipment listed. The following connections must be avoided, because they can result in rollout* when a nonlocking snaphook is used:

- Direct connection of a snaphook to horizontal lifeline.
- Two (or more) snaphooks connected to one D-ring.
- Two snaphooks connected to each other.
- A snaphook connected back on its integral lanyard.
- A snaphook connected to a webbing loop or webbing lanyard.
- Improper dimensions of the D-ring, rebar, or other connection point in relation to the snaphook dimensions that would allow the snaphook keeper to be depressed by a turning motion of the snaphook.

***Rollout: A process by which a snaphook or carabiner unintentionally disengages from another connector or object to which it is coupled. (ANSI Z359.0-2007)**



Warning Label:



Performance:

Static Tensile Strength:
5000-lbf (22kN)

Maximum Capacity: One worker with max weight of 310-lbs when used as a single point anchorage connector for personal fall arrest or restraint system.

Dimensions:

Weight: 6.8-lbs
Beam Flange Width Range: 4" - 14"
Beam Flange Thickness: .25" to 1.25"

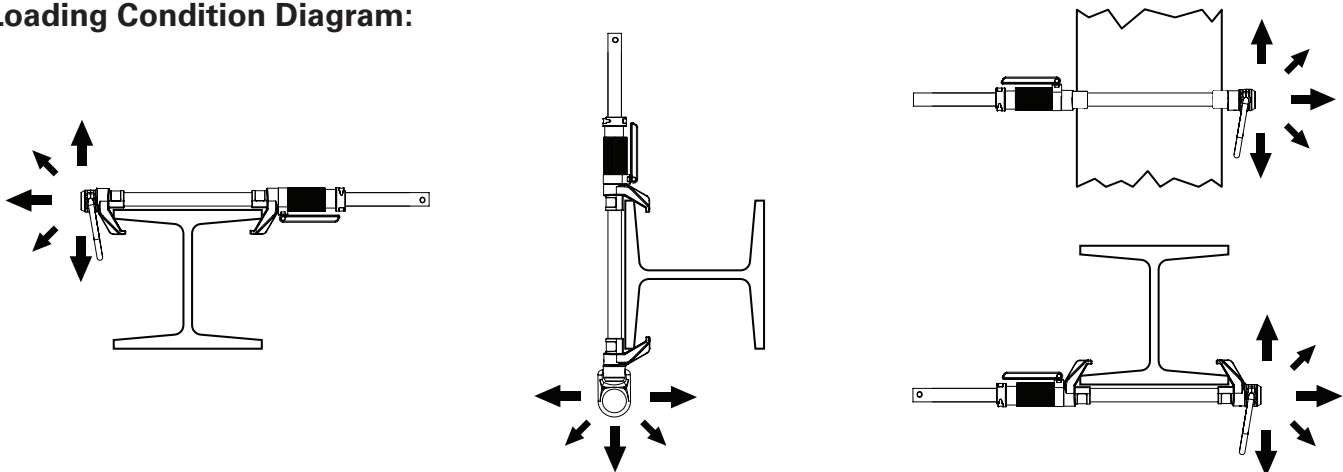
Regulatory Compliance:

ANSI Z359.1-2007, ANSI Z359.7-2011, OSHA 1926.502, OSHA 1910.66

Component Materials:

- Zinc Plated Steel
- Stainless Steel
- Aluminum

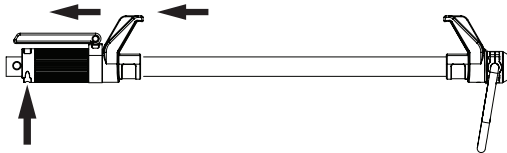
Loading Condition Diagram:



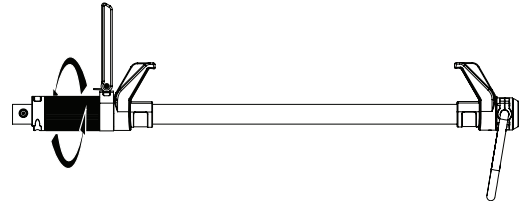
Placement at or below a user's working height requires integration of a compatible ANSI Z359.1 shock-absorbing lanyard that does not allow user to extend more than 6 feet (in any direction) from the anchorage connector before shock absorber is activated. Beam anchor must be attached to I-beam flange facing the user (top flange if above, bottom flange if below, etc.).

Loading Condition Diagram:

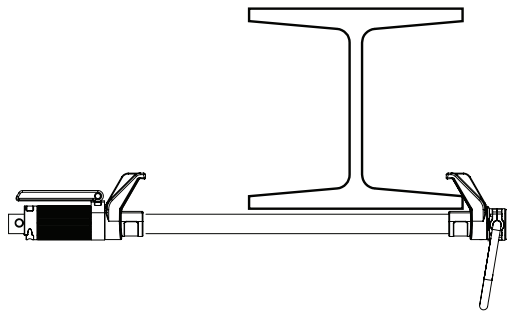
1. Press lock button and slide adjustable paw to widest position.



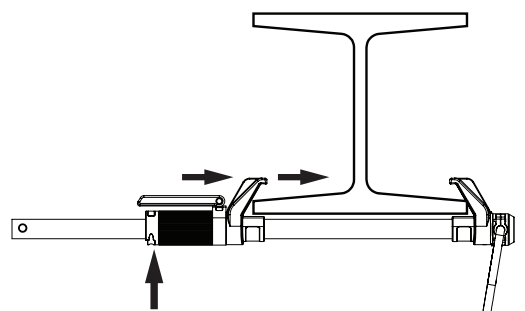
2. Fully loosen nut by turning counterclockwise.



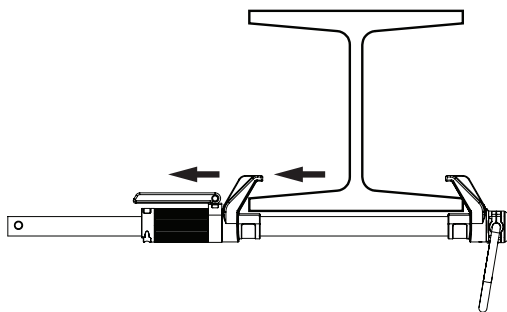
3. Hook fixed paw on far side of I-beam flange.



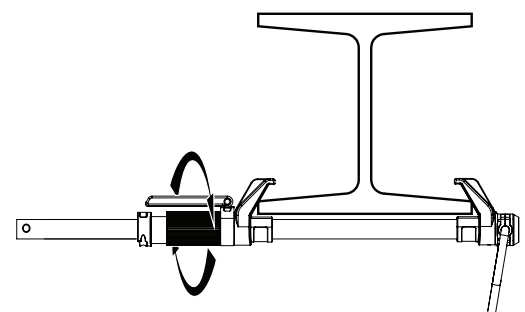
4. Press lock button and slide adjustable paw to tightest notch to capture I-beam flange.



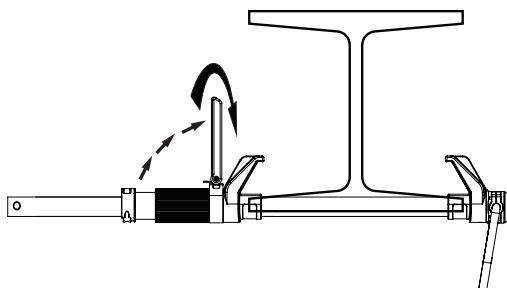
5. Pull back on adjustable paw to ensure it is in a locked position.



6. Hand tighten nut as much as possible by turning clockwise.



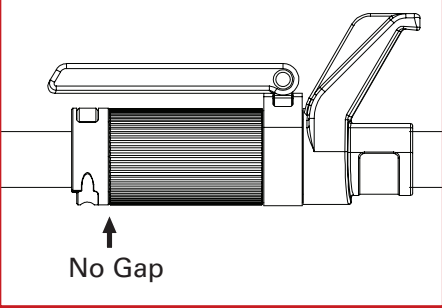
7. Use lever to tighten an extra 1/4 turn.



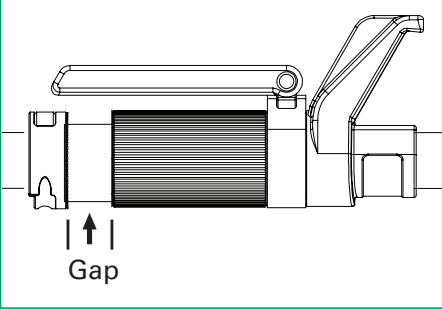
Refer to "NUT POSITIONS" diagram on following page to ensure correct installation. If nut position is incorrect, repeat all steps ensuring lock button engages in tightest position during step 4.

Nut Positions:

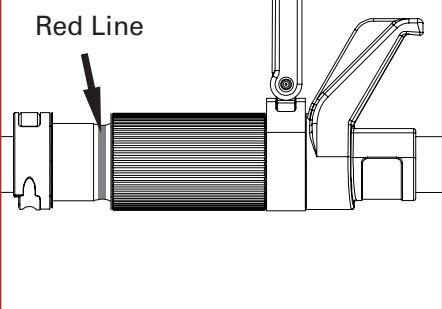
INCORRECT




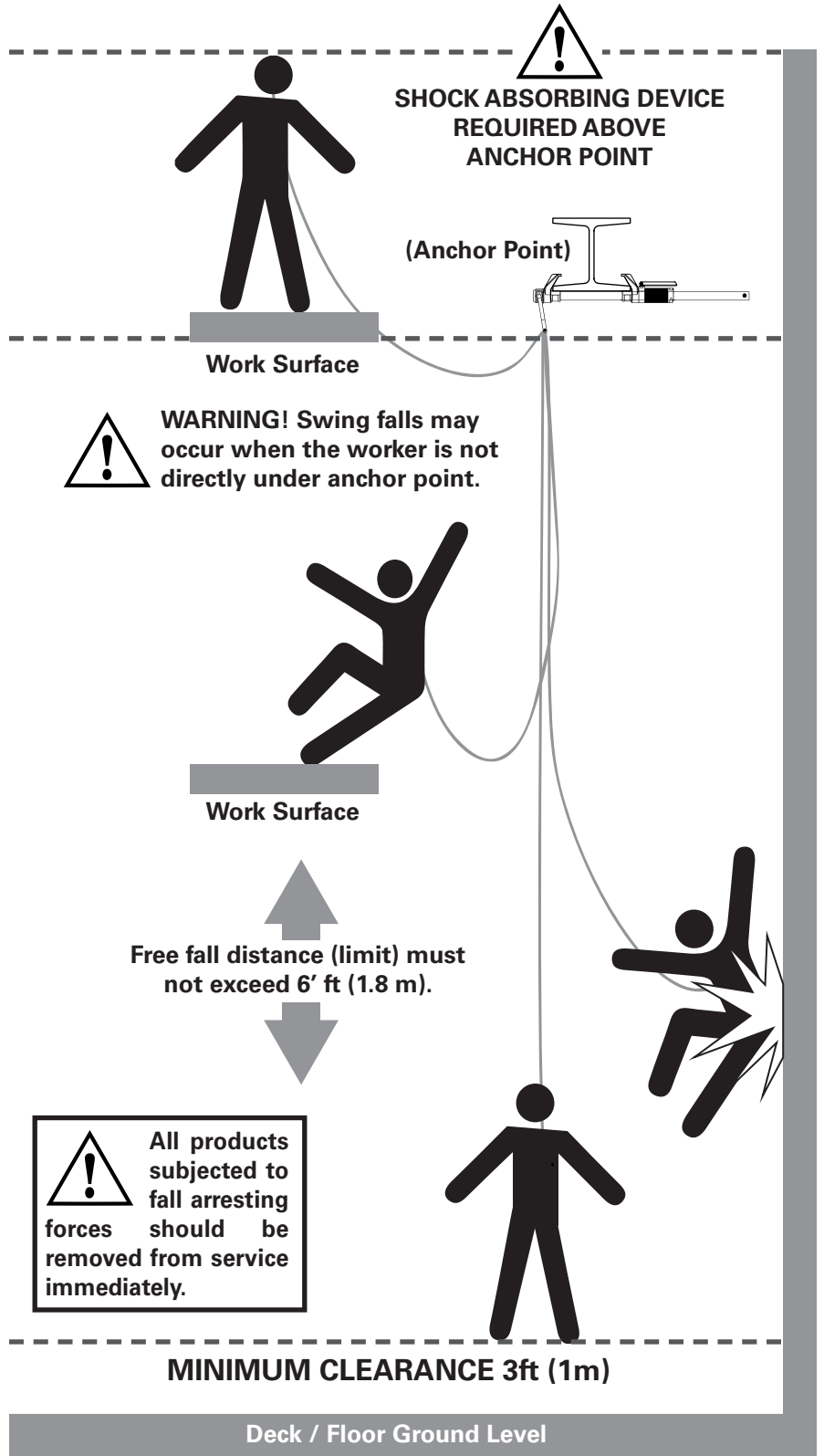
CORRECT



INCORRECT



 **WARNING:** Use of this product must be approved by an engineer or other qualified person to be compatible with any and all structural & operational characteristics of the selected installation location and system to be connected to this anchorage connector.





Maintenance, Cleaning & Storage

Cleaning periodically will prolong the life and proper functioning of the product. Frequency of cleaning should be determined by inspection and by severity of the environment. Clean with compressed air and/or a stiff brush using plain water or a mild soap and water solution. Do not use any corrosive chemicals that could damage the product. Wipe all surfaces with a clean, dry cloth and hang to dry, or use compressed air. When not in use, store anchorage connectors in a cool, dry, clean environment, out of direct sunlight and free of corrosive or other degrading elements.

Inspection Log

Date	Part Number	Comments	Inspector Name



Inspection:

Official periodic inspection must be made at least semi-annually. The inspection must be performed by a qualified person other than the intended user. If severe weather or conditions exist, then inspections must be carried out more frequently. All inspection results must be logged in the space provided above. (It is recommended that the anchor device is marked with the date of the next or last inspection.)

1. Make sure all labeling is affixed to the unit.
2. Inspect anchoring system for signs of damage or wear.
3. Make sure the ring is free to swivel and pivot.
4. Ensure button engages and disengages properly.
5. Record inspection results in the space provide above.



If any damage that could affect the strength or operation of the device, or unsafe conditions are found, proper disposal is required. The anchorage connector must be rendered unusable and then properly discarded.

Product Warranty, Limited Remedy and Limitation of Liability

WARRANTY: THE FOLLOWING IS MADE IN LIEU OF ALL WARRANTIES OR CONDITIONS, EXPRESS OR IMPLIED, INCLUDING THE IMPLIED WARRANTIES OR CONDITIONS OF MERCHANTABILITY OR FITNESS FOR A PARTICULAR PURPOSE. Equipment offered by Ultra-Safe Inc. is warranted against factory defects in workmanship and materials for a period of one year from date of purchase or first use by the original owner. **LIMITED REMEDY:** Upon notice in writing, Ultra-Safe Inc. will repair or replace all defective items at Ultra-Safe Inc.'s sole discretion. Ultra-Safe Inc. reserves the right to require that the defective item be returned to its plant for inspection before determining the appropriate course action. Warranty does not cover equipment damage resulting from wear, abuse, damage in transit, failure to maintain the product or other damage beyond the control of Ultra-Safe Inc. Ultra-Safe Inc. shall be the sole judge of product condition and warranty options. This warranty applies only to original purchaser and is the only warranty applicable to this product. Please contact Ultra-Safe Inc. technical service department for assistance.

LIMITATION OF LIABILITY: IN NO EVENT WILL ULTRA-SAFE INC. BE LIABLE FOR ANY INDIRECT, INCIDENTAL, SPECIAL OR CONSEQUENTIAL DAMAGES INCLUDING, BUT NOT LIMITED TO LOSS OF PROFITS, IN ANY WAY RELATED TO THE PRODUCTS REGARDLESS OF THE LEGAL THEORY ASSERTED.

