



OWNERS MANUAL

MODEL: US-1075WCA

DESCRIPTION: Concrete and Steel Anchor
5,000 lbs / 22kn

MEETS OSHA & ANSI Z359.7-2011

1-800-850-5914

PHOENIX, ARIZONA USA

WWW.ULTRASAFEUSA.COM



3/4" FALL PROTECTION TOGGLE ANCHOR'S ARE TO BE USED IN CONCRETE OR STEEL. DO NOT USE IN WOOD OR ANY OTHER SUBSTRATE. THIS PRODUCT IS USED IN PRECAST CONCRETE ONLY WITH A COMPRESSIVE STRENGTH OF AT LEAST 5,000 PSI.

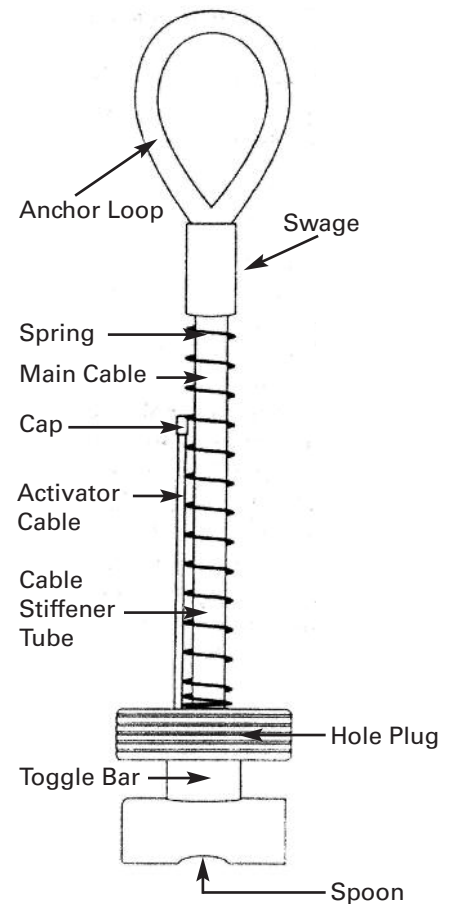
ANCHOR'S CAN BE PLACED IN:

- Horizontal surfaces
- Vertical surfaces
- Overhead / ceiling surfaces

IMPORTANT!! All persons using this equipment must read and understand all instructions. Failure to do so may result in serious injury or death. If a fall occurs, the Concrete Anchor must be disposed of according to the manufacturer instruction. Users should be familiar with pertinent regulations governing this equipment. All individuals who use this product must be correctly instructed on how to use this device.

COMPONENTS:

- | | |
|---------------|-----------------------|
| • Main Cable | 7x19 Aircraft Cable |
| • Balk Shank | Stainless Steel |
| • Toggle Bar | Stainless Steel |
| • Hole Plug | Aluminum Alloy |
| • Spring | Zinc Plated Steel |
| • Swage | Zinc Plated Copper |
| • Return Wire | 1 x 19 Aircraft Cable |
| • Anchor Loop | Polyurethane |





REQUIREMENTS

1. Follow all manufacturer's instructions with this device. Only trained professional personnel should install, maintain, inspect and use this product and its components or other personal protective equipment in conjunction with this product.
2. Do not use this device if its components are damaged, cracked, broken or have any deformation to its structure. Do not use device if it does not operate smoothly or freely.
3. OSHA requires that any personal fall arrest system and all the components in the system be removed from service and destroyed if a fall has occurred loading this device.
4. This product is not designed to be repaired or altered in any way. The unit must be removed from service.
5. Do not use incompatible connectors with this device. Use only self-locking snap hooks or carabiners that meet ANSI Z359.1 requirements. Only use connectors that are designed for each application. Ensure that all connectors are fully closed and in the locked position. Connectors strength must meet the 5,000 lb requirement.
6. All personal fall arrest systems must meet all applicable state, federal, city, OSHA and ANSI requirements and any other regulating government body. It is the responsibility or the employer to regulate its worker and make sure all laws are being complied with concerning this device.
7. This anchorage point attachment must be identified by a qualified or competent person by means of support of a worker. For fall arrest, the anchor point must meet the 5,000 lb requirement per single user. It is the responsibility of the user and employer that the concrete can meet the anchor requirements and the proper anchoring techniques be used with this device.
8. This anchor point must be used with care. Determining the proper placement of this device must take in consideration and be applied so that in combination along with an lanyard that the user will not be allowed to free fall more that 6 feet or maximum fall arrest force of 1800 lbs. Make sure the fall path is clear of obstructions and no swing falls occur.
9. The structure or substrate that this device is anchored to must meet the capabilities of withstanding the 5,000 lb static load capacity per person (5,000 lbs for one person).
10. Pregnant women and minors must not use this product.
11. Designed safe working load is 400 LBS (149.3 kg) do not exceed this weight.

INSPECTION

1. Make sure unit is straight and operates smoothly.
2. Make sure the label is affixed to unit.
3. Make sure trigger stop is not bent or damaged,,
4. Make sure cables are not kinked, frayed or damaged.
5. Make sure metal components are not damaged.
6. Make sure metal spoons and conical end fitting operate smoothly and no metal burrs have occurred.
7. When reusing a previously drilled hole, always inspect the hole carefully.

STORAGE AND CLEANING

1. Blow off unit after each use with compressed air.
2. Store in clean dry environment.
3. Store in secure locked area.
4. Store and put away at the end of each day's work.
5. Do not pile any objects on top of unit during storage.
6. Keep unit free of grease, oils and dirt.
7. Never lend your unit to other workers.

DISPOSAL

1. Dispose of unit after any fall has occurred.
2. Dispose of unit if cable becomes kinked or bent.
3. Dispose of unit if trigger stop is bent or damaged.
4. Dispose of unit if trigger action is rough or sticky.
5. Dispose of unit if return wire becomes bent or frayed.
6. Proper disposal requires the unit's spoons be cut off the return wires and thrown away.

IMPORTANT WARNINGS

This product is to be used by qualified fall protection personnel only. It is to be anchored in accordance with manufacturer's requirements. All persons using this equipment must read and understand all instructions Failure to do so may result in serious injury or death. If a fall occurs, the Toggle Anchor must be disposed of according to the manufacturer instructions. Users should be familiar with regulations governing this equipment. All individuals who use this product must be correctly instructed before using this device.

Use only compatible connectors with any Toggle Anchor. Refer to separate instructions supplied with your connecting device. This product is designed for use in thin wall or hollow core precast concrete and steel flanges.

Keep unit free of grout, grease, oils, dirt or other contaminates. This could effect the performance of the unit.

When using a Toggle Anchor make sure the Toggle Bar is activated in the open position.



INSTRUCTIONS FOR USE IN CONCRETE

Use For Fall Protection Only !!

- Drill a 3/4" diameter hole.
- Drill hole in the center of core hollow.
- Never drill Hole closer than 6" to any edge or corner.
- Always inspect a previously drilled hole for deformation. Drill another proper hole if needed.
- Inspect the unit for damage each time you use it. If damage has occurred, dispose of unit.
- Make sure the Toggle Bar is activated in the open position.
- The Hole Plug must be seated in the concrete hole.
- Never rely on a unit placed by unqualified workers.
- Remove your unit at the end of each day.

Do not use this product in uncured/wet concrete.

The precast concrete must have a compressive strength of at least 5,000 PSI and the core wall must be 1-1/2" thick. (See Dia. On next page)

Do not drill a hole closer then 6" from any corner or edge.

Drill a straight 3/4" diameter hole all the way through the core center utilizing a rotary hammer drill and industrial grade SDS bit.

Only use industrial grade rotary hammer drills and drill bits. DO NOT USE masonry drill bits.

SEE DIAGRAMS ON PAGE

INSTRUCTIONS FOR USE IN STEEL

Use For Fall Protection Only !!

- Drill a 3/4" diameter.
- Drill hole in the center of core hollow.
- Drill center of hole at least 1-1/2" from any edge or corner.
- Always inspect a previously drilled hole, make sure the hole is round and a true 3/4" diameter hole.
- Inspect the unit for damage each time you use it.
- If damage has occurred, dispose of unit.
- Make sure the Toggle Bar is activated in the open position.
- The Hole Plug must be seated in the steel hole.
- Never rely on a unit placed by unqualified workers.
- Never leave a unit inserted in a hole overnight.

This product is to be used by qualified fall protection personnel only. It is to be anchored in accordance with manufacturer's requirements.

The steel flange must be at least 1/4" thick and you must drill the center of the hole at least 1-1/2" from any edge or corner.

It is important that you drill your Toggle Anchor hole to the manufacturer's required diameter. All holes must be drilled to 3/4". Do not use holes larger than 3/4" or holes that are not round in shape.

NEVER USE A BENT DRILL BIT!!

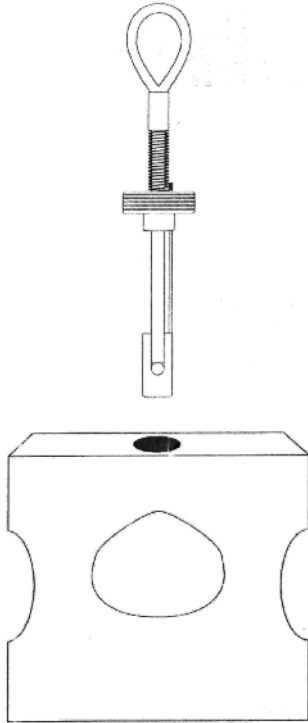
SEE DIAGRAMS ON PAGE

IMPORTANT INFORMATION

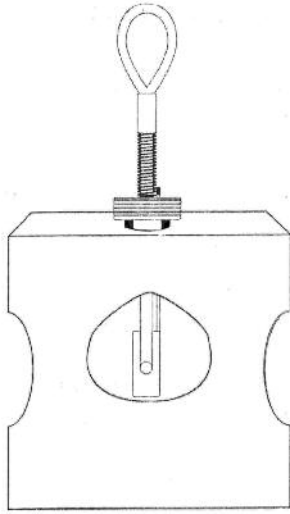
- Follow all manufacturer's Instructions.
- Use only compatible connectors.
- Always inspect your units prior to use.
- Use the proper method of coupling to anchorage.
- Remove unit from service if a fall has occurred.
- Patch all holes with concrete when job is complete.
- For use by Single User only.
- Pregnant women and minors must not use this product.
- Designed safe working load is 400 LBS (149.3 kg). Do not exceed this weight.

USE IN CONCRETE

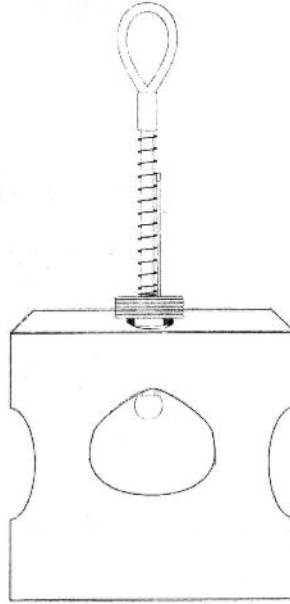
Unit in Insertion Position



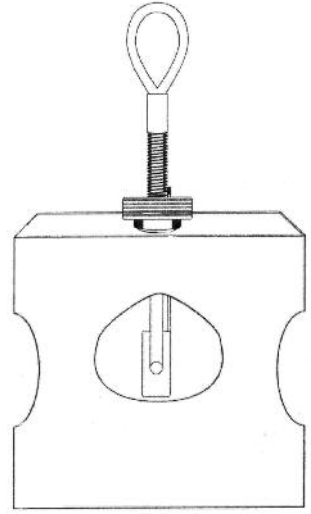
Push the unit downward until the spring fully compresses, pushing on activator cap will force the toggle bar into the open position.



Only when the unit is activated in the open position is it safe for load bearing



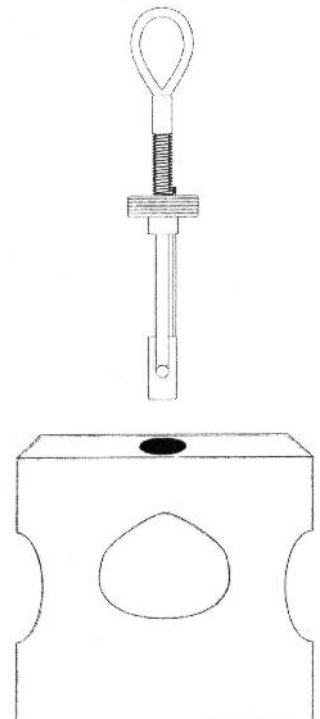
Unit Inserted



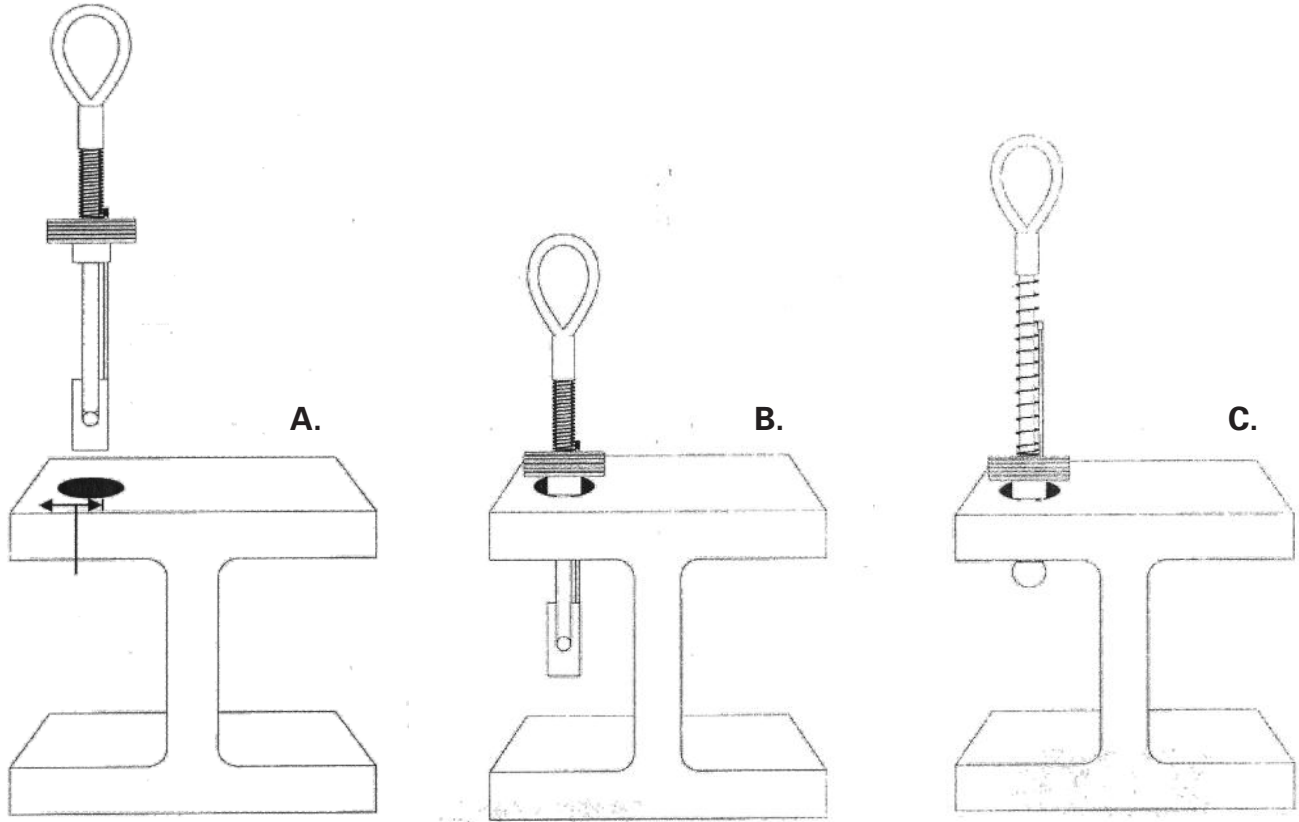
Removal

Grab the hole plug with one hand while pushing downward on the anchor loop, with the other hand. Once the hole plug fully compresses the spring the unit will be in the insertion position and ready to pull out.

The toggle bar must be in the parallel position when inserting and removing the unit.



USE IN STEEL - INSTALLATION

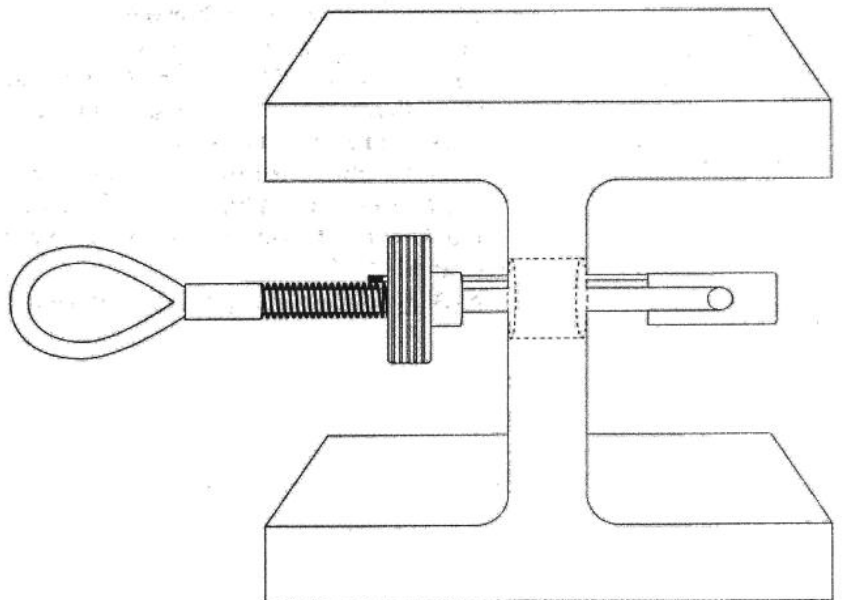


A. Unit in insertion position.

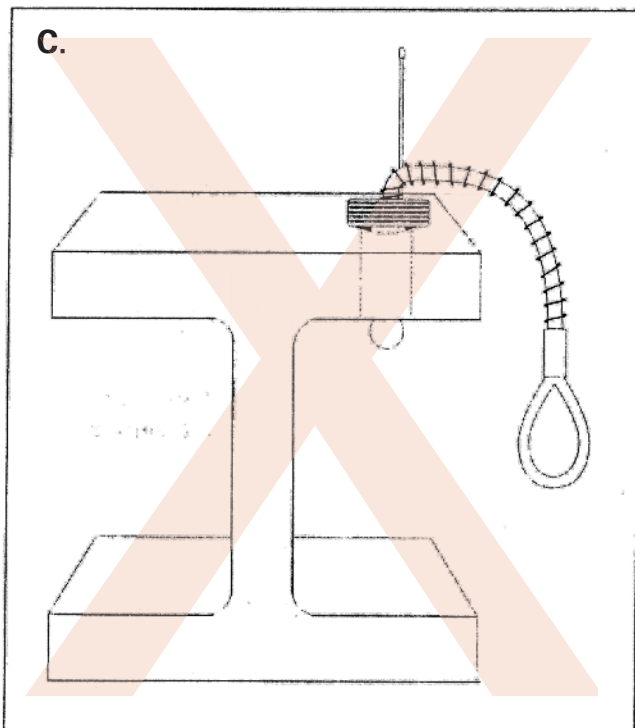
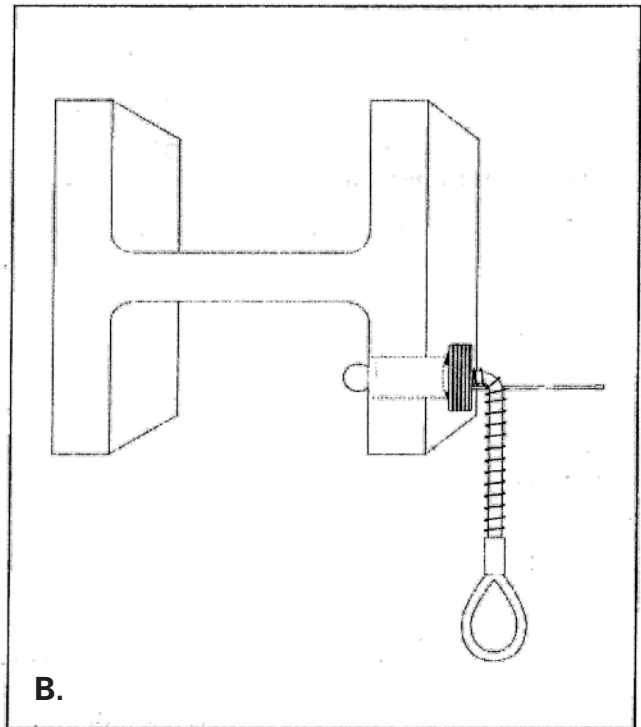
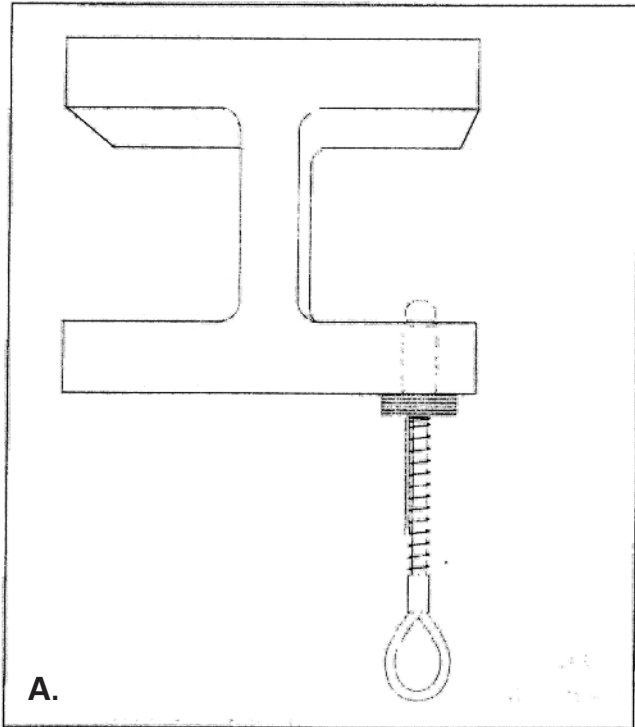
The center of the hole must be drilled at least 1 1/2" from any edge.

B. Push the unit downward until the spring fully compresses. Pushing on activator cap will force the toggle bar into open position.

C. Only when the unit is activated in the open position is it safe for load bearing.



USE IN STEEL (cont.)



Toggle Anchor works in both shear and tensile loads. They only work up to a 90 degree bend.

Diagram A:
Shows the anchor being positioned in a tensile load. This is the best desired position.

Diagram B:
Shows the anchor being positioned in a shear load. This is a good placement but could cause more wear on the unit.

Diagram C:
Shows the anchor being positioned in a 180 degree bend. This is a bad placement. You must never subject the anchor to more than a 90 degree bend.

NEVER PLACE AN ANCHOR AS SHOWN IN DIAGRAM C.

