



USER INSTRUCTION MANUAL

DESCRIPTION: Ultra-Glide Beam Anchor

MODEL: US-MBC-B14

MEETS OSHA & ANSI Z359.1-2011



1-800-850-5914
PHOENIX, AZ USA

WATCH VIDEO 16 ON ULTRASAFEUSA.COM



INSPECTION:

Visually inspect unit for damage, excessive wear and corrosion, cracks or malfunction. Confirm operation by releasing latch and sliding clamp to the end of the crossbar. Move clamp toward D-ring and check to see that latch engages by periodically pulling back on the clamp without using the release. Clamp should lock in place. Check both sides before use.

Read This Instruction Manual Carefully Before Using This Equipment.

User Instructions must always be available to the user and are not to be removed except by the user of this equipment. For proper use, see supervisor, User Instructions, or contact the manufacturer.

WARNING

Read, understand and follow user instructions provided with this device. Alterations, abuse or misuse of this product could result in serious injury or death. Local, State and Federal laws require that the user be properly trained before using this product. Use with ANSI/OSHA compliant personal fall arrest or restraint systems. Anchors must be inspected before each use. All anchors subjected to a fall or other damage must be removed from service and destroyed or sent back to manufacturer.

SPECIFICATIONS:

Static Tensile Strength: 5000 lbs minimum

Maximum Capacity: one worker with maximum weight of 400 lbs when used as a single point anchorage connector for personal fall arrest system that will limit the maximum arrest force of the user to 1,800 lbf or less

Component Materials:

Cross Bar: aluminum

D-ring Bracket: stainless steel

Clamps: bronze

D-ring: zinc plated steel

Spring: zinc plated steel

Hardware: zinc plated steel

Dimensions:

Net weight: 3.4 lbs

Beam flange width capacity: 3 1/2" - 14"

Beam flange thickness capacity: 1 1/4"

Regulatory compliance:

Meets or exceeds ANSI Z-359.1 2007, Z359.7-2011 and OSHA 1926.502



WARNING

Compliant fall protection and emergency rescue systems help prevent serious injury during fall arrest. Users and purchasers of this equipment must read and understand the User Instructions provided for correct use and care of this product. All users of this equipment must understand the instructions, operation, limitations and consequences of improper use of this equipment and be properly trained prior to use per OSHA 29 CFR 1910.66 and 1926.503 or applicable local standards. Misuse or failure to follow warnings and instructions may result in serious personal injury or death.

PURPOSE The US-MBC-B14 is an anchorage connector are designed to function as an interface between the anchorage and a fall protection, work positioning, rope access, or rescue system for the purpose of coupling the system to the anchorage. Any references to "anchorage connectors" in this manual include, and apply to, the US-MBC-B14.

CAUTION: If using anchor at foot level, it will be necessary to use a special lanyard designed for 12 ft. falls.

USE INSTRUCTIONS

1. Before using a personal fall arrest system, user must be trained in accordance with the requirements of OSHA 29 CFR 1910.66 in the safe use of the system and its components.
2. Use only with ANSI/OSHA compliant personal fall arrest or restraint systems. The anchorage must have the strength capable of supporting a static load, applied in the directions permitted by the system, of at least 5,000-lbf (22.2 kN) in the absence of certification.
3. Use of this product must be approved by an Engineer or other qualified person to be compatible with any and all structural & operational characteristics of the selected installation location and system to be connected to this anchor. Improper use may result in serious personal injury or death.
4. The anchorage connector must be inspected prior to each use for wear, damage, and other deterioration. If defective components must be immediately removed from service, in accordance with the requirements of OSHA 29 CFR 1910.66 and 1926.502.
5. The complete fall protection system must be planned (including all components, calculating fall clearance, and swing fall) before using.
6. A rescue plan, and the means at hand to implement it, must be in place that provides the prompt rescue of users in the event of a fall, or assures that users are able to rescue themselves.
7. After a fall occurs, anchorage connectors must be removed from service and destroyed immediately.

USE LIMITATIONS

1. One user/worker maximum weight of 400-lbs (181kg) when used as a single point anchorage connector in a fall arrest system that will limit the maximum arrest force of the user to 1,800-lbf (816kg) or less.
2. The anchorage connector may be pulled in any direction shown in the .
3. The anchorage connector a designed to be used in temperatures ranging from -40°F to +130°F (-40°C to +54°C).
4. Do not expose anchorage connectors to chemicals or harsh solutions which may have a harmful effect.
5. Do not alter or modify this product in anyway.
6. Caution must be taken when using any component of a fall protection, work positioning, rope access, or rescue system near moving machinery, electrical hazards, sharp edges, or abrasive surfaces, as contact may cause equipment failure, personal injury, or death.
7. Do not use/install equipment without proper training by a "competent person" as defined by OSHA 29 CFR 1926.32(f).
8. Do not remove the labeling from this product.
9. Additional requirements and limitations may apply depending on anchorage type and fastening option utilized for installation. Refer to the applicable section in this manual for further details. Improper use may result in serious personal injury or death.

COMPATIBILITY LIMITATIONS

All Anchors Connectors must only be coupled to compatible connectors. OSHA 29 CFR 1926.502 prohibits snaphooks from being engaged to certain objects unless two requirements are met: it must be a locking type snaphook, and it must be "designed for" making such a connection. "Designed for" means that the manufacturer of the snaphook specifically designed the snaphook to be used to connect to the equipment listed. The following connections must be avoided, because they can result in rollout*:

- Direct connection of a snaphook to horizontal lifeline.
- Two (or more) snaphooks connected to one D-ring.
- Two snaphooks connected to each other.
- A snaphook connected back on its integral lanyard.
- A snaphook connected to a webbing loop or webbing lanyard.
- Improper dimensions of the D-ring, rebar, or other connection point in relation to the snaphook dimensions that would allow the snaphook keeper to be depressed by a turning motion of the snaphook.

* Rollout: A process by which a snaphook or carabiner unintentionally disengages from another connector or object to which it is coupled. (ANSI Z359.1-2007)



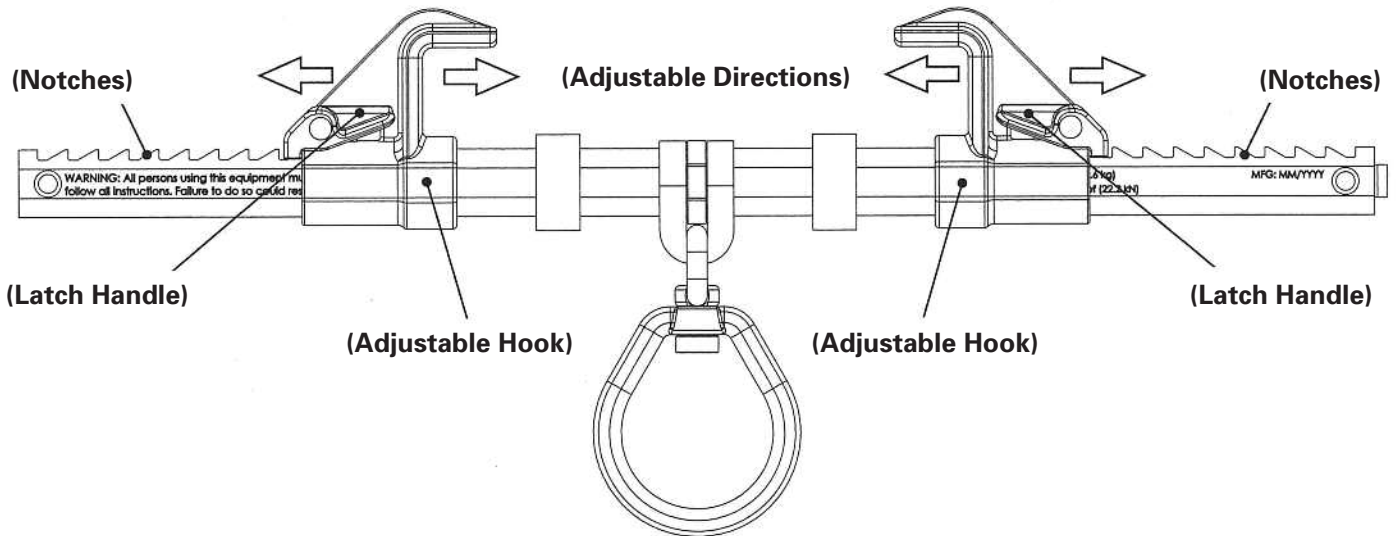
MAINTENANCE, CLEANING AND STORAGE

Cleaning periodically will prolong the life and proper functioning of the product. Clean with compressed air and/or a stiff brush using plain water or a mild soap and water solution. Do not use any corrosive chemicals that could damage the product. Wipe all surfaces with a clean dry cloth and hang to dry, or use compressed air. When not in use, store anchorage connectors in a cool, dry, clean environment, out of direct sunlight and free of corrosive or other degrading elements. V1.2

USE AND INSTALLATION INSTRUCTIONS

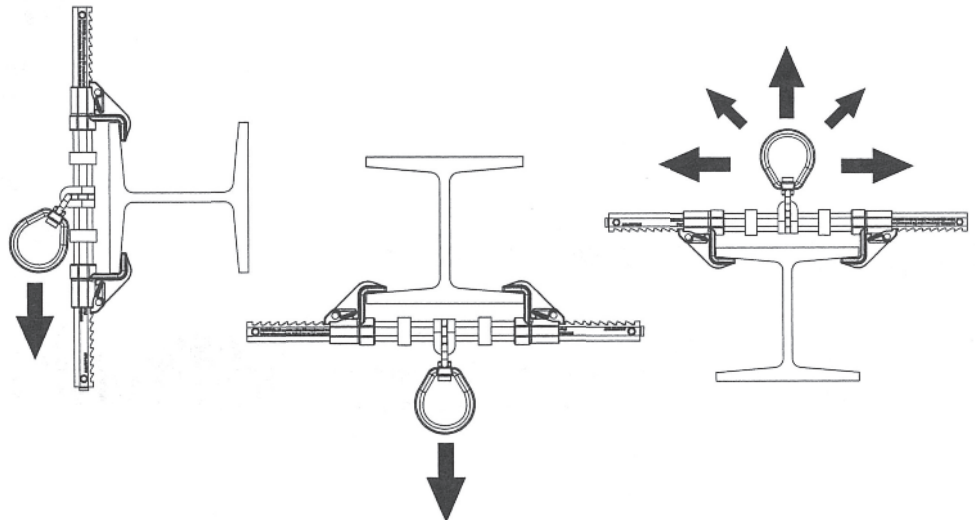
Installation:

1. Locate a structural steel beam flange capable of withstanding a 5,000-lbs. Static load or meeting OSHA 926.502 requirements for a safety factor of two. Avoid swing fall hazards.
 2. Push in on the latch handle to allow the adjustable hook to move.
 3. Fit the hooks over the edges of the beam flange, keeping the unit perpendicular to the beam.
 4. Slide the adjustable hook so that both hooks are snug against the beam flange.
 5. Pull back on the adjustable hook to ensure the ratchet teeth are fully seated in the nearest ratchet notches.
 6. Tug, rock, and twist the anchor in all directions to ensure that it cannot come off of the flange.
- *Always re-adjust according to steps 1-6, above when moving to a new or different size beam.



ACCEPTABLE INSTALLATION ORIENTATIONS

Placement at or below a user's working height requires integration of a compatible ANSI 359.1 shock-absorbing lanyard that does not allow the user to extend more than 6 feet (in any direction) from the anchorage connector before the shock absorber is activated. The beam anchor must be attached to the I-beam flange facing the user (top flange if above, bottom flange if below, etc.).





INSPECTION AND MAINTENANCE LOG

Date	Pass/Fail	Corrective Action	Name of Inspector	Signature

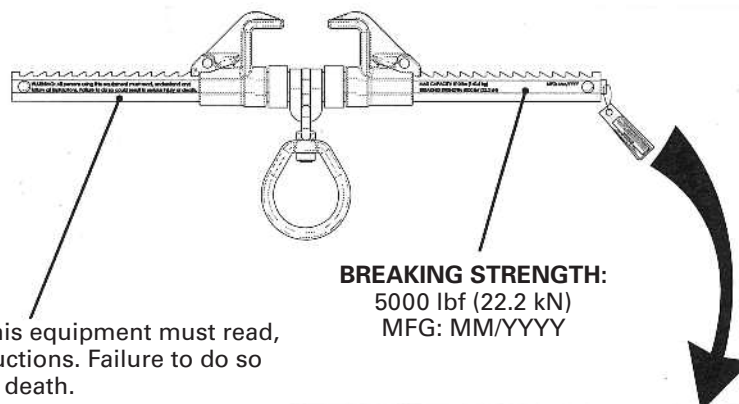
Date of Manufacture: _____ Model Number: _____

Date Purchased: _____

Inspection:

Inspections must be made at least annually by a qualified third party other than the intended user. If severe weather or conditions exist then inspections must be carried out more frequently. All inspections results must be logged in the space provided above.

USER MUST INSPECT EQUIPMENT BEFORE EACH USE
 When inspecting equipment, check for physical deformations, excessive wear, corrosion, and that all components work properly and safely.



Compliance: OSHA 1928.502 & 1910.66 / ANSI Z359.1, Z359.7-2011

WARNING!!!

ALL PERSONS USING THIS EQUIPMENT MUST READ AND UNDERSTAND ALL INSTRUCTIONS. FAILURE TO DO SO MAY RESULT IN SERIOUS INJURY OR DEATH. USERS SHOULD BE FAMILIAR WITH APPLICABLE REGULATIONS GOVERNING THIS EQUIPMENT. ALL INDIVIDUALS WHO USE THIS PRODUCT MUST BE PROPERLY INSTRUCTED ON HOW TO USE THIS DEVICE.

Stainless Steel, Aluminum, Zinc Plated Steel, Bronze

Max Capacity 400-lbs

Ultra-Safe
 Model: US-MRC-BY4
 1-800-850-5874
INSPECT BEFORE USE

***If any damage that could affect the strength or operation or unsafe conditions are found at anytime proper disposal is required. Anchor connector must be rendered unusable and then properly discarded.**