



OWNERS MANUAL

MODEL: US-5074FRB

DESCRIPTION: FLAT RETRACTABLE ROOF BRACKET

MEETS OSHA & ANSI Z359.1

1-800-850-5914

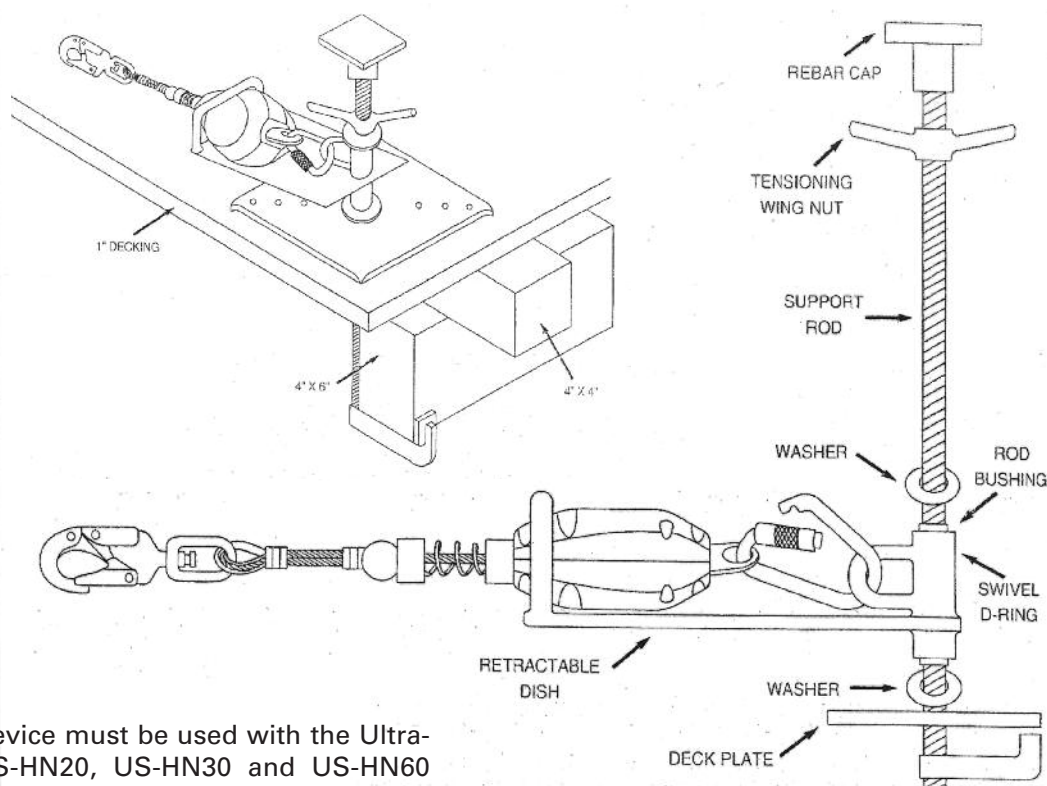
PHOENIX, ARIZONA USA

WWW.ULTRASAFEUSA.COM

FLAT RETRACTABLE ROOF BRACKET

- Requires two 1-1/2" holes in decking near truss
- Panted steel construction

The flat retractable roof bracket attaches to roof decking, to provide personal fall protection for residential roofing projects, the system accommodates a 20', 30' and 60' safety retractable lanyards, that provides a 360 degree movement for performing hands-free roof work with up to a 60' radius. installs easy on sloped or flat roofs. Included are one anchorage hook device that will fit rafters or trusses up to 4" x 12", that provide different roof pitch angles and a base that will hold safely a safety retractable lanyard. Insert the anchor hook through the base of the plate, capturing the truss or rafter, and tightening the wing nut to ensure a tight grip.



NOTE: The device must be used with the Ultra-Safe, Inc. US-HN20, US-HN30 and US-HN60 safety retractable lanyard.