



OWNERS MANUAL

MODEL: US-MBR-V18

DESCRIPTION: Fixed Beam Anchor 18"
Vertical-Horizontal

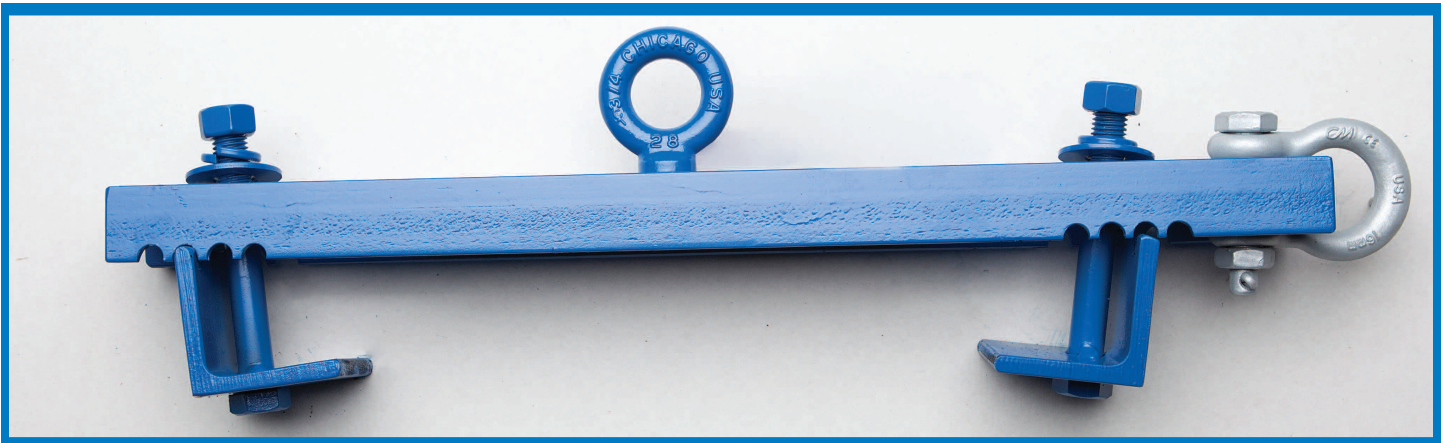
MEETS OSHA & ANSI Z359.1



1-800-850-5914

PHOENIX, ARIZONA USA

WWW.ULTRASAFEUSA.COM



The Ultra-Safe, Inc. beam anchor adjusts to fit 18 inch to 18 inch steel beams up to 2 3/8" thickness.

Manufactured with grade 8 hardware and slip proof notches for easy installation.

Ensure compatibility between anchor and connecting hardware.

When mounting anchorage, base must be flush with mounting surface. Also, when mounting on a vertical surface, the anchor ring must be perpendicular to the ground plane.

Mounting surface must have a minimum tensile capacity of 10,000 lbs. (10k).

Clamp is suitable for use as termination or intermediate (pass thru). See attached sketch.

WARNING

It is the user's responsibility to become familiar with all rules and regulations regarding the use of all fall protection products, including safety beam anchors. Ultra-Safe, Inc. is not responsible for accidents that may occur as a result of improper installation. Do not exceed 45 degree load angle on eye. Clamp should be taken out of service and replaced if any visual distortion should occur.

INSTALLATION INSTRUCTIONS

1. Center clamp on column flange
2. Move clamping tabs in as close to the flanges as possible.
3. Seat heel of clamping tabs in nearest slip resistant notch directly opposite of each other
4. Tighten tab bolt nuts, as tight as possible with wrench (Approximately 100ft. lbs torque)

Flange: 2 3/8" Max

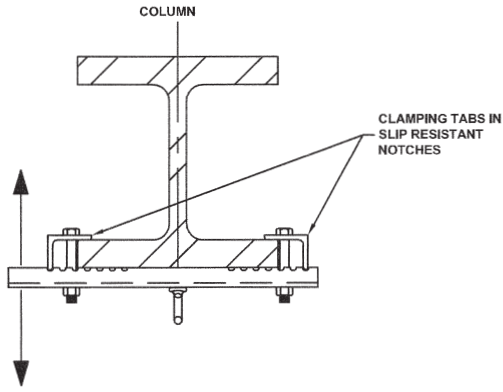
Weight: 22 lbs.

Materials: Carbon Steel

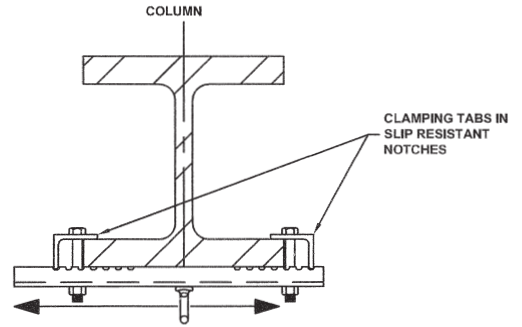
Manufactured in: U.S.A.

Minimum Tensile: 10,000 lbs. (10k)

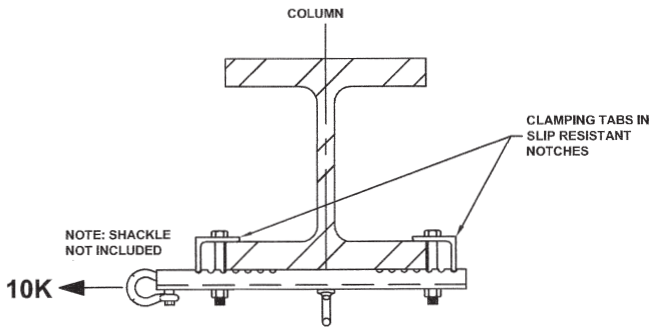
Meets or Exceeds ANSI Z359.1



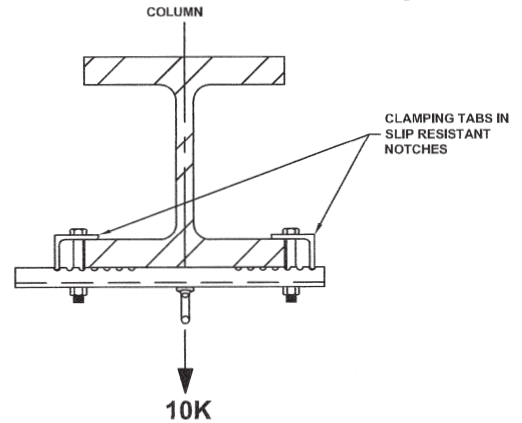
PASS THRU 1



PASS THRU 2



TERMINATION 1



TERMINATION 2